

# Beam Clamps



**IPBK10**

The IPBK10 beam clamp is used for lifting, transferring and stacking H-Beams. An ring-center hoist eye allows for the beam flange to remain vertical. This series of clamps can be used in vertical and horizontal moving, transferring and stacking of different types of structural designs, such as H-Beams, angles, etc, depending on the application desired.

## For the transfer and stacking of steel beams

- IPVUZ / IPVZ: Available in capacities of 0.75 thru 1.5 metric tons.
- IPVUZ / IPVZ: Jaw openings available: 0 to 0.79".
- IPBK10: Available in capacities of 0.5 thru 4 metric tons.
- IPBK10: Jaw openings available: 0.2 to 1.1".
- Welded alloy steel body for strength and smaller size. Forged alloy components, where required.
- Individually Proof Tested to 2 times the Working Load Limit with certification.
- Company name (CrosbyIP), logo, Working Load Limit and jaw opening permanently stamped on body.
- Each product is individually serialized, with the serial number and Proof Load test date stamped on body. User manual with test certificate is included with each clamp.
- Optional IP-5000 Stinger assembly available (see page 428). Allows for easy connection between the clamp and hoist hook.
- Minimum WLL of 10% of Maximum WLL.
- Maintenance and repair kits are available.
- For use with materials with a plate surface hardness to 279HV10, only 5% min WLL is needed.
- Manufactured by an ISO 9001 facility.
- All sizes are **RFID EQUIPPED**.



**IPVUZ**

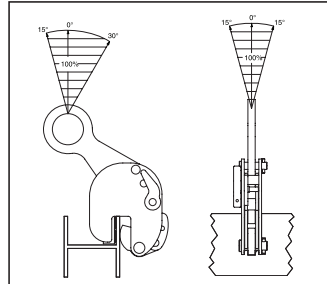
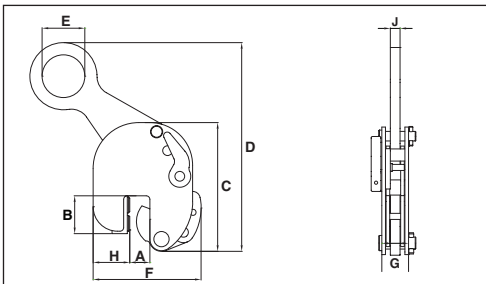
The IPVZ / IPVUZ beam clamp is used for vertical lift and transfer of angle iron and other loads that have only a small gripping area for the clamp ("U" has universal hoisting eye). This series of clamps can be used in vertical and horizontal moving, transferring and stacking of different types of structural designs, such as H-beams, angles, etc, depending on the application desired.



## Model IPBK10

Model	Working Load Limit (t)*	IPBK10 Stock No.	Weight Each (lbs.)	Dimensions (in.)								
				Jaw A	B	C	D	E	F	G	H	J
0.5 IPBK10	0.5	2703931	5.29	0.19 - 0.63	1.69	5.28	8.50	1.77	4.72	1.89	1.77	0.39
1 IPBK10	1.0	2703831	5.73	0.19 - 0.62	1.69	5.98	9.06	1.77	4.84	1.85	1.77	0.39
2 IPBK10	2.0	2703838	16.1	0.25 - 1.00	2.44	8.78	13.43	2.76	7.80	2.40	2.76	0.63
4 IPBK10	4.0	2703839	37.3	0.25 - 1.13	2.95	11.10	16.97	3.94	9.13	3.07	2.83	0.79

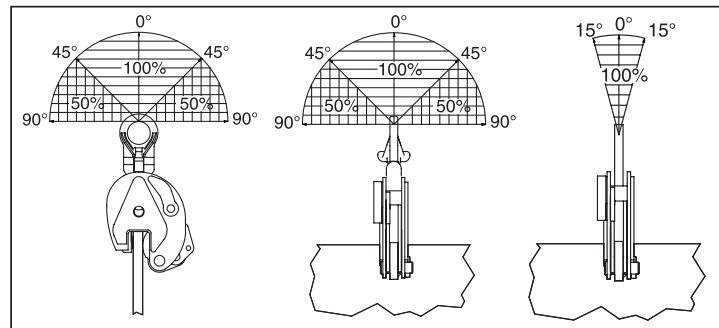
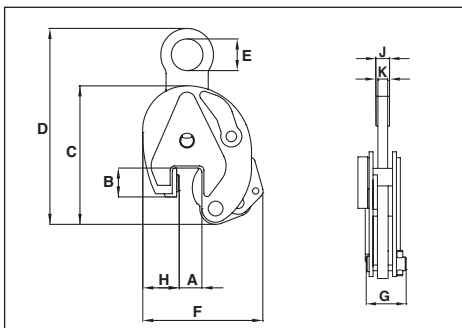
\* Design Factor based on EN 13155 and ASME B30.20.



## Model IPVUZ: Universal Hoisting Eye / Model IPVZ: Fixed Hoisting Eye

Model	Working Load Limit (t)*	IPVUZ Stock No.	Weight Each (lbs.)	Dimensions (in.)								
				Jaw A	B	C	D	E	F	G	H	K
IPVUZ	0.75	2705146	3.97	0 - 0.63	1.02	5.12	8.50	1.57	4.53	1.65	1.18	0.43
IPVUZ	1.5	2705147	15.21	0 - 0.81	2.17	7.87	14.88	2.76	7.87	2.40	2.52	0.63
<b>Fixed Hoisting Eye</b>												
IPVZ	0.75	2705096	3.75	0 - 0.63	1.02	5.12	7.99	1.57	4.53	1.65	1.18	0.43
IPVZ	1.5	2705097	13.01	0 - 0.81	2.17	7.87	13.35	2.76	7.09	2.40	2.52	0.63

\* Design Factor based on EN 13155 and ASME B30.20.



Crosby Lifting Clamps